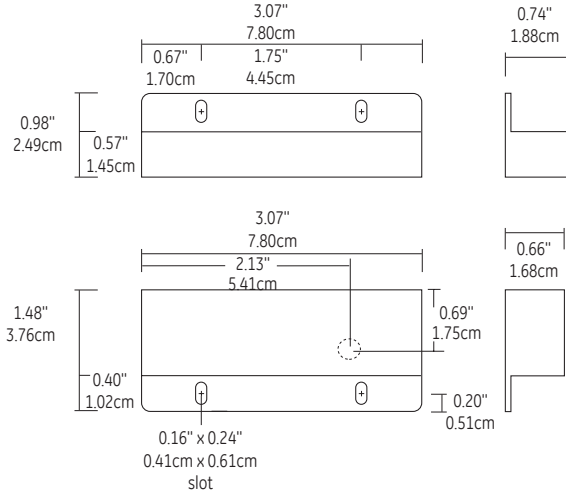




# Interlock Switch 301 GuardSwitch

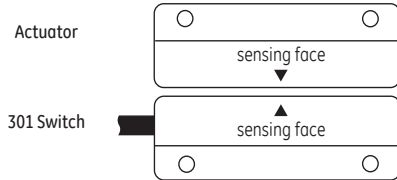
## Applications

- Requiring Highly Defeat Resistant Switches
- Grinder Machines
- Augur Machines
- Chopper Machines



## General Specifications

Enclosure	Folded 304 Stainless Steel
Temperature Range	-40°F to 180°F (-40°C to 80°C)
Environmental	Hermetically Sealed Contact Switch Encapsulated in Polyurethane
NEMA Rating	1, 2, 4, 4X, 5, 12, 12K
Protection Class	IP 66
Response Time	1 msec (5.4 VA); 10 msec (150VA)
Life Cycles	100,000 Under Full Load; Up to 200,000,000 Under Dry Circuit
Lead Types/O.D.	SJTOW (K) 18/2 AWG / 0.30" (0.76cm) SJTOW (K) 18/4 AWG / 0.34" (0.86cm)
UL/CSA	All Models



Order Info.		Electrical Specifications										
Part Number	Contact <sup>1</sup> Config.	Load Rating		Switching Voltage, Max.		Switching Current, Max.		Contact Resistance	Sense Range <sup>2</sup>		Break Range	Lead Length
		AC	DC	AC	DC	AC	DC		Max.	Min.		
301-CT-06K	N.O.	2.5VA	2.5W	30V(@0.08A)	30V(@0.08A)	0.18A(@13.8V)	0.18A(@13.8V)	0.5 Ohms	0.75"(1.9cm)	0.375"(1.0cm)	1.2"(3.0cm)	6' (1.8m)
301-CT-12K	N.O.	2.5VA	2.5W	30V(@0.08A)	30V(@0.08A)	0.18A(@13.8V)	0.18A(@13.8V)	0.5 Ohms	0.75"(1.9cm)	0.375"(1.0cm)	1.2"(3.0cm)	12' (3.6m)
301-CT-12K-CD	DPST	2.5VA		30V(@0.08A)	30V(@0.08A)	0.18A(@13.8V)	0.18A(@13.8V)	0.5 Ohms	0.75"(1.9cm)	0.375"(1.0cm)	1.2"(3.0cm)	12' (3.6m)
301-DT-06K <sup>4</sup>	N.O.	150VA	NA	120V @1.25A	NA	1.25A(@120V <sup>3</sup> )	NA	NA	0.75"(1.9cm)	0.375"(1.0cm)	1.2"(3.0cm)	6' (1.8m)
301-DT-12K <sup>4</sup>	N.O.	150VA	NA	120V @1.25A	NA	1.25A(@120V <sup>3</sup> )	NA	NA	0.75"(1.9cm)	0.375"(1.0cm)	1.2"(3.0cm)	12' (3.6m)

**Warning – Each electrical rating is an individual maximum and cannot be exceeded!**

<sup>1</sup> Configuration with actuator away from the switch  
<sup>2</sup> Proximity of ferrous materials usually reduces sense range – typically by 50%. The shape and type of material cause a wide diversity of effects. Testing is required to determine actual sense range for specific applications.  
<sup>3</sup> Can withstand inrush surge up to 4 amps. Voltage drop is 1.5V, minimum switch current, 30 mA, triac output.  
<sup>4</sup> Do not exceed 10 switches in series.



INTERLOCK SWITCH  
300 SERIES